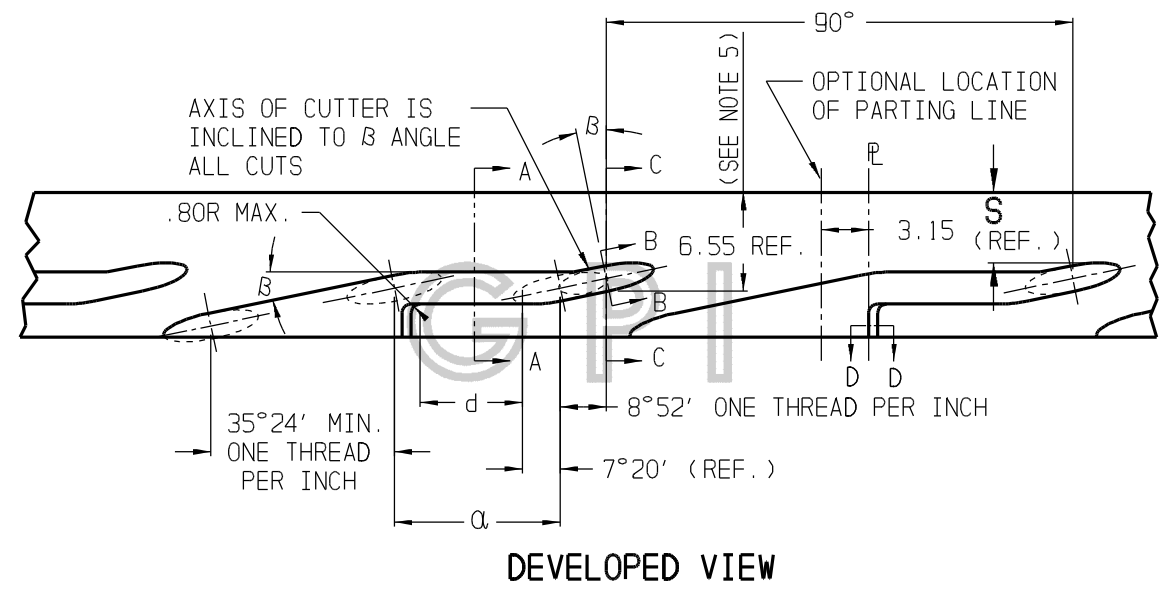
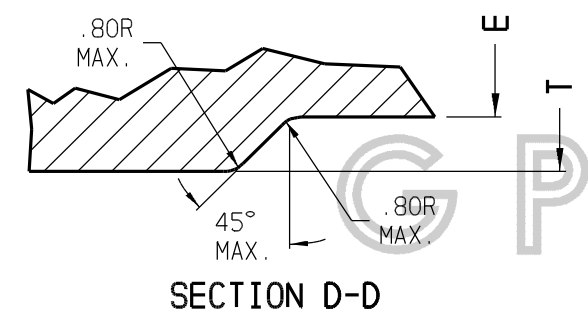
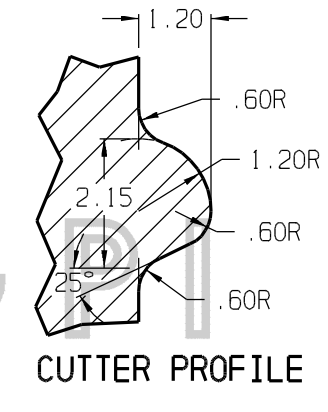
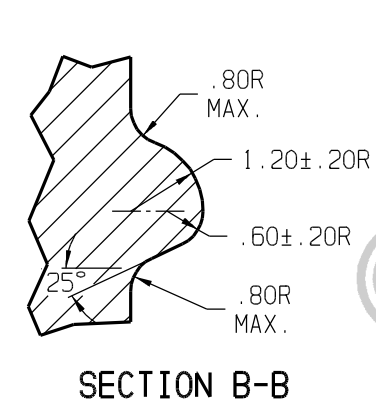


SIZE	E		T		I MIN.	NO. OF LEADS	T.P.I.	S (REF.)	α	MIN. d CHORD	B	LEAD
	IDEAL	TOL.	IDEAL	TOL.								
43	38.10	±.35	40.50	±.35	27.80	4	1	4.05	32°	6.75	11°38'	25.40
48	43.20	±.35	45.55	±.35	32.95	4	1	4.10	31°	7.25	10°20'	25.40

1. SEALING SURFACE MUST BE FREE FROM IRREGULARITIES THAT WOULD PREVENT A VACUUM SEAL FROM BEING MADE.
2. 'H' DIMENSION OPTIONAL BUT SHOULDER MUST CLEAR CAP LIMITS SHOWN.
3. WHEN 'E' AND 'T' DIAMETERS ARE AT MAXIMUM, THEY MUST BE CONCENTRIC TO PREVENT POSSIBLE INTERFERENCE DURING CAP APPLICATION.
4. MAINTAIN 'T' DIAMETER TO A DEPTH OF 8.25. FROM 8.25 TO 9.15 'T' DIAMETER MAY BE BELOW MINIMUM BUT NOT OVER MAXIMUM.
5. CONSTRUCTION DIMENSION SHOWN FOR REFERENCE, IN IRON, AT START OF THREAD.
6. 'L' DIMENSION MUST BE MAINTAINED FOR LENGTH OF MIN. 'd' CHORD.
7.  $TANGENT B = \frac{LEAD}{\pi (\text{MEAN BETWEEN MEAN 'T' AND MEAN 'E'})}$



THIS OFFICIAL GLASS PACKAGING INSTITUTE PRINT CONSTITUTES ONE IN A SERIES OF VOLUNTARY STANDARDS INTENDED TO PROVIDE A BASIS FOR ACHIEVING COMPATIBILITY AND INTERCHANGEABILITY BETWEEN MANUFACTURERS AND USERS OF GLASS CONTAINERS AND CLOSURES THEREFOR. THE USER SHOULD BE AWARE THAT OTHER CONTAINER AND CLOSURE DESIGNS MAY DIFFER FROM THIS VOLUNTARY STANDARD, AND IT IS THE USER'S RESPONSIBILITY TO MAKE THE FINAL DETERMINATION AS TO DESIGN AND COMPATIBILITY. GPI ASSUMES NO RESPONSIBILITY FOR EITHER THE USE OF OR INTERPRETATION OF THE STANDARD, FOR IT BEING CURRENT, OR FOR THE DETERMINATION WHETHER ANY PARTICULAR MANUFACTURER'S PRODUCT CONFORMS TO THE STANDARD. THIS DRAWING CONTAINS INFORMATION TAKEN FROM ONE OR MORE PRINTS OF THE GLASS PACKAGING INSTITUTE (GPI). GPI OWNS ALL RIGHT, TITLE AND INTEREST IN THE COPYRIGHTS TO THIS DRAWING AND TO THESE PRINTS. GPI REQUIRES THAT YOU NOT REPRODUCE THIS DRAWING FOR OR DISTRIBUTE THIS DRAWING TO ANY THIRD PARTY WITHOUT GPI'S WRITTEN CONSENT. ANY INQUIRIES OR SUGGESTIONS CONCERNING THIS STANDARD CAN BE ADDRESSED TO THE GLASS PACKAGING INSTITUTE, WASHINGTON D.C. AT WWW.GPI.ORG.

COPYRIGHT © GPI 1994, 1999

Edward A. Grant CHAIRMAN	PRINTED AND DISTRIBUTED AS A VOLUNTARY STANDARD BY <b>GLASS PACKAGING INSTITUTE</b> SUBCOMMITTEE ON DESIGN AND SPECIFICATIONS	APPROVED FOR PUBLICATION 02-05-99	SUPERSEDES DWG. NO. FM-20104
GLASS FINISH NUMBER <b>2010M</b>		GPI DWG. NO.	
METRIC TOP SEAL VACUUM LUG FINISH - SIZES 43 AND 48		<b>FM-20105</b>	