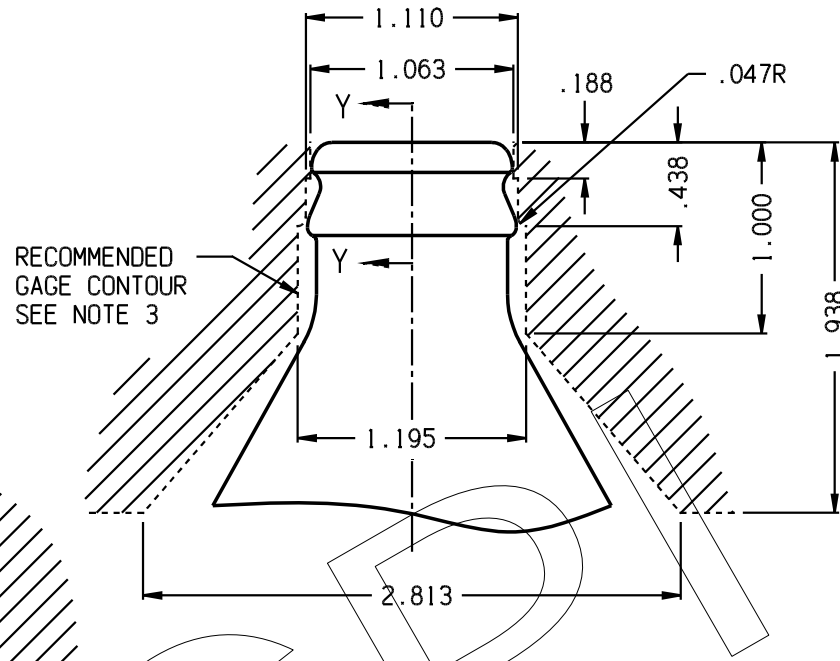
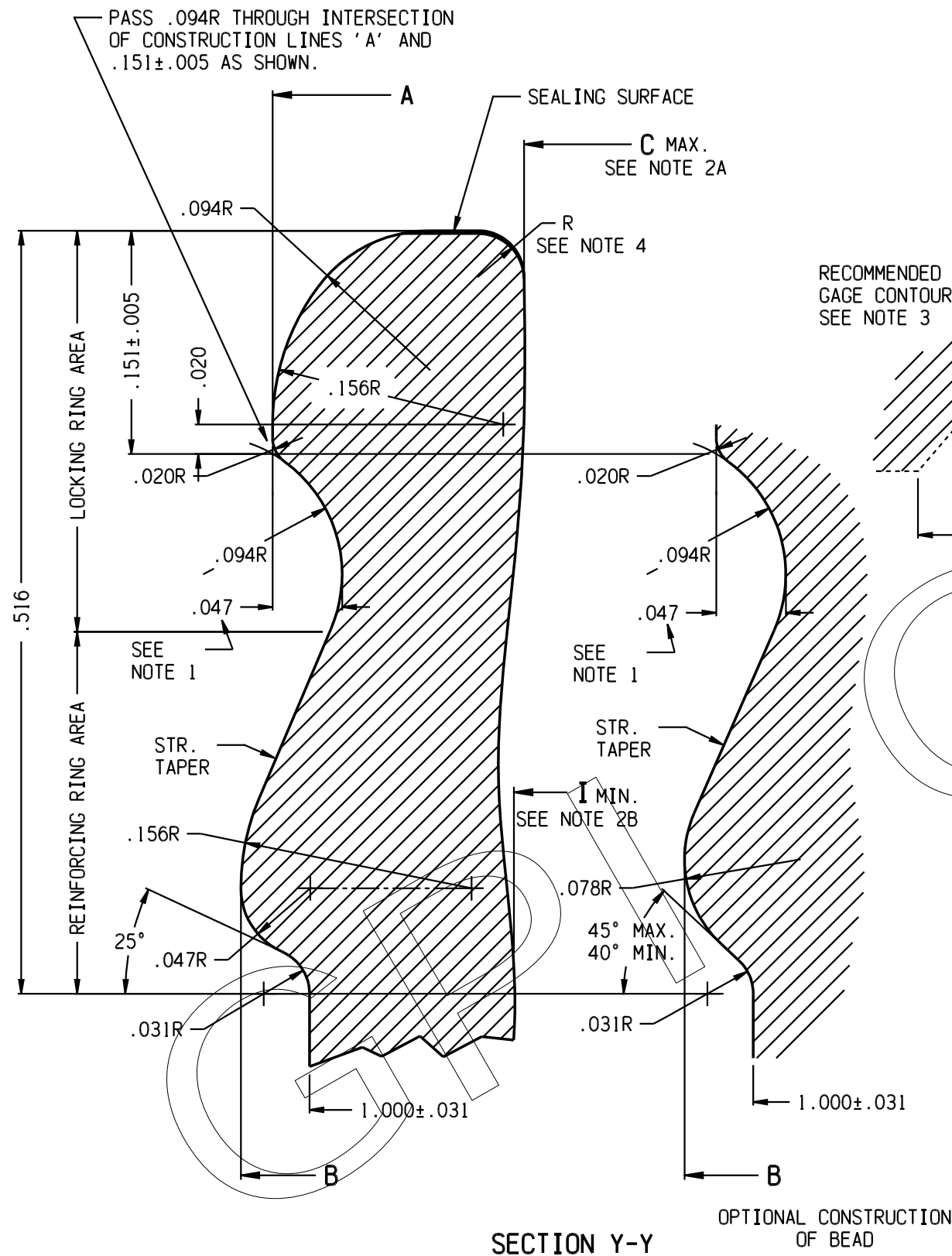


SIZE	A	B	I MIN.	C MAX.
26	1.050 ^{+0.013} _{-.012}	1.093 ^{+0.031} _{-.015}	0.635	0.720



1. PROPER APPLICATION AND FUNCTION OF CLOSURE REQUIRES THAT VARIATIONS IN THE OTHER DIAMETERS OF THE LOCKING RING SHOULD FOLLOW UNIFORMLY THOSE OF 'A' SUBJECT TO SUCH VARIATIONS AS NORMAL MANUFACTURING CONDITIONS REQUIRE. THIS ALSO APPLIES TO THE LOCKING RING PROFILE ILLUSTRATED WHICH IS CONSIDERED IDEAL.
- 2A. IT IS IMPORTANT THE 'C' DIMENSION AT THE TOP OF THE OPENING ADJACENT TO THE SEALING SURFACE NOT EXCEED .720.
- B. MINIMUM 'I' DIMENSION IS FOR FILLING TUBE CLEARANCE AND EXTENDS THROUGH THE ENTIRE LENGTH OF THE FINISH AND THE BOTTLE NECK.
3. CERTAIN CAPPING EQUIPMENT REQUIRES THAT NECK CONTOUR BE WITHIN LIMITS OF RECOMMENDED GAGE CONTOUR.
4. THE INNER LIP CONTOUR IS SUBJECT TO NORMAL MANUFACTURING VARIATIONS. RADIUS 'R' IS NOT TO EXCEED .047 WHEN 'C' IS AT MAXIMUM.
5. IT IS THE RESPONSIBILITY OF THE GLASS CONTAINER PURCHASER TO CONSULT WITH ITS CLOSURE AND CONTAINER SUPPLIERS TO DETERMINE THE APPROPRIATE PRESSURE LIMITS FOR THE COMBINATION OF THE CONTAINER, ITS FINISH, AND THE CLOSURE CHOSEN, WHEN THE CONTAINER WILL BE SUBJECTED TO PRESSURE OR USED FOR CONTENTS UNDER PRESSURE.
6. REFER TO GLASS FINISH GPI-615 FOR OPTIONAL SEALING SURFACE CONSTRUCTION.

THIS OFFICIAL GLASS PACKAGING INSTITUTE PRINT CONSTITUTES ONE IN A SERIES OF VOLUNTARY STANDARDS INTENDED TO PROVIDE A BASIS FOR ACHIEVING COMPATIBILITY AND INTERCHANGEABILITY BETWEEN MANUFACTURERS AND USERS OF GLASS CONTAINERS AND CLOSURES THEREFOR. THE USER SHOULD BE AWARE THAT OTHER CONTAINER AND CLOSURE DESIGNS MAY DIFFER FROM THIS VOLUNTARY STANDARD, AND IT IS THE USER'S RESPONSIBILITY TO MAKE THE FINAL DETERMINATION AS TO DESIGN AND COMPATIBILITY. GPI ASSUMES NO RESPONSIBILITY FOR EITHER THE USE OF OR INTERPRETATION OF THE STANDARD, FOR IT BEING CURRENT, OR FOR THE DETERMINATION WHETHER ANY PARTICULAR MANUFACTURER'S PRODUCT CONFORMS TO THE STANDARD. THIS DRAWING CONTAINS INFORMATION TAKEN FROM ONE OR MORE PRINTS OF THE GLASS PACKAGING INSTITUTE (GPI). GPI OWNS ALL RIGHT, TITLE AND INTEREST IN THE COPYRIGHTS TO THIS DRAWING AND TO THESE PRINTS. GPI REQUIRES THAT YOU NOT REPRODUCE THIS DRAWING FOR OR DISTRIBUTE THIS DRAWING TO ANY THIRD PARTY WITHOUT GPI'S WRITTEN CONSENT. ANY INQUIRIES OR SUGGESTIONS CONCERNING THIS STANDARD CAN BE ADDRESSED TO THE GLASS PACKAGING INSTITUTE, WASHINGTON D.C. AT WWW.GPI.ORG.

COPYRIGHT © GPI 1995, 1999, 2002, 2003

Edward A. Grant CHAIRMAN	PRINTED AND DISTRIBUTED AS A VOLUNTARY STANDARD BY GLASS PACKAGING INSTITUTE COMMITTEE ON DESIGN AND SPECIFICATIONS	APPROVED FOR PUBLICATION 3-19-03	SUPERSEDES DWG. NO. 650-18
Karl A. Reisig SECRETARY	GLASS FINISH NUMBER 650	GPI DWG. NO. 650-19	
CROWN FINISH			